

SIMONIZ™

Around the House Accessory Kit

039-8708-0



Pressure washer
spray gun not included

These accessories can be used with all Simoniz® and Simoniz® Platinum electric high-pressure washers up to a pressure of 2,000 PSI.

Maximum pressure: 2000 PSI

Maximum flow rate: 1.5 GPM (5.7 LPM)

When unpacking the product, make sure that no accessories are missing and that none of the package contents have been damaged. If you require any help, please contact the customer service department at:

1-866-4SIMONIZ
(1-866-474-6664)

Contact us for assistance; we're here to help.



Use and Care Guide



Model no. AE62

Version no.

01

Table of Contents


1. IMPORTANT PRECAUTIONS.....	3
1.1 DEFINITIONS.....	3
1.2 INTENDED APPLICATION.....	3
2. EXPLODED VIEW.....	4
3. PARTS LIST	4
4. ASSEMBLY INSTRUCTIONS	5
4.1 SAFETY ADVICES.....	5
4.1 FOR USE WITH A METAL PRESSURE WASHER SPRAY GUN ONLY	5
4.2 TO ATTACH THE FLEX GUTTER NOZZLE OR WINDOW SQUEEGEE ATTACHEMENT	6
5. TROUBLESHOOTING	7
6. MAINTENANCE AND CARE	7
7. LIMITED WARRANTY.....	8

1. IMPORTANT PRECAUTIONS

IMPORTANT, RETAIN FOR FUTURE REFERENCE AND READ CAREFULLY!

Do not attempt to install or operate this device until you have read the safety instructions in this manual. Safety items throughout this manual are labelled with **Danger**, **Warning**, or **Caution** depending on the risk type.

1.1 Definitions

 This is the safety alert symbol. It is used to alert you to potential personal injury hazards. Obey all safety messages that follow this symbol to avoid possible injury or death.

DANGER

Indicates an imminently hazardous situation which, if not avoided, will result in death or serious injury.

WARNING

Indicates a potentially hazardous situation which, if not avoided, could result in death or serious injury.

CAUTION

Indicates a potentially hazardous situation which, if not avoided, could result in minor or moderate injury.

IMPORTANT

Installation, operation, or maintenance information which is important but not hazard-related.

1.2 Intended Application

This product is designed for specific residential applications. Do not modify or use this product for any application other than the one it was designed for. This equipment was not designed for industrial use. Please refer to the icons below for suggested applications. For questions regarding other uses, please refer to our website at www.simoniz.ca or call us at **1-866-4SIMONIZ** (1-866-474-6664).



IMPORTANT — APPLICATIONS



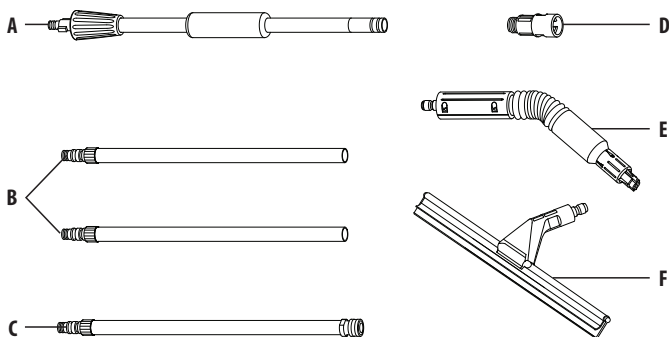
SECOND STORY



SIDING

4 Exploded View / Parts List

2. EXPLODED VIEW



3. PARTS LIST

Item #	Part Name	Qty.	Part #
A	Extension tube with lock handle	1	AE62-000-0001
B	Extension tube	2	AE62-000-0002
C	Extension tube with QC coupler	1	AE62-000-0003
D	Universal adaptor	1	AE62-000-0004
E	Flex gutter nozzle	1	AE62-000-0005
F	18" (46 cm) window squeegee	1	AE62-000-0006

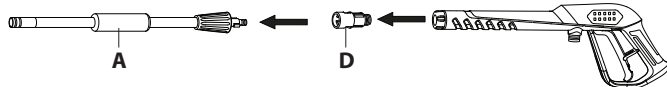
4. ASSEMBLY INSTRUCTIONS

4.1 Safety Advice

CAUTION — USE

- Always read the safety instructions of your high-pressure washer before operation.
- Only trigger the high-pressure gun if the accessories are located on the surface to be cleaned.
- There must be no persons in the immediate vicinity of the cleaning head.
- Beware of the recoil force! Ensure a stable position and firmly hold on to the high pressure gun with the extension tube.
- Maximum water temperature 60°C (140°F).

4.2 For use with a Metal Pressure Washer Spray Gun Only



Fasten universal adaptor onto metal gun before attaching the extension tubes

6 Assembly Instructions

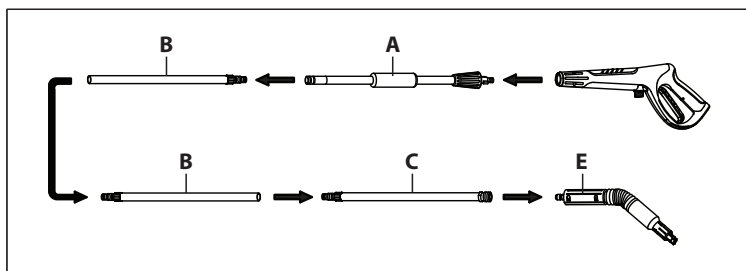
4. ASSEMBLY INSTRUCTIONS (cont.)

4.3 To Attach the Gutter Nozzle or Window Squeegee Attachment

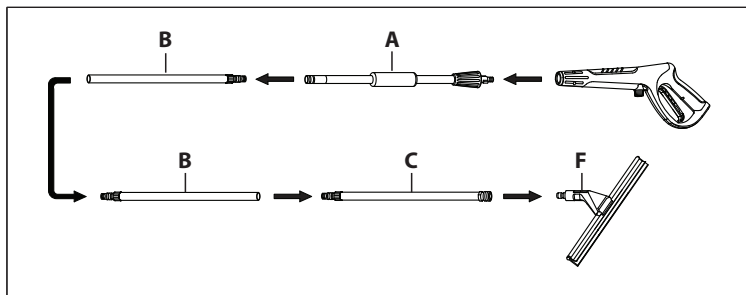
1	Connect the extension tube with lock handle (A) to plastic gun directly.
2	Turn the lock handle to secure extension tube with lock handle (A) and gun firmly.
3	Connect the two extension tubes (B) together to extension tube with lock handle (A).
4	Connect the extension tube with QC coupler (C) to the extension tubes (B).
5	Attach the flex gutter nozzle (E) or the window squeegee (F) to the extension tube with QC coupler (C).

For Flex Gutter Nozzle Only

The flex gutter nozzle can be adjusted to any angle to clean hard-to-reach areas.



For Window Squeegee Only



5. TROUBLESHOOTING

Disconnect the device from the power source before making any repairs.

Problem	Cause	Solution
High pressure cleaner does not build up the pressure or is vibrating.	The nozzles and/or filters are clogged.	Check and clean the built-in high pressure nozzles and filters on the attachments.

6. MAINTENANCE AND CARE

WARNING — RISK OF INJURY

Always switch off the device and disconnect the device's plug before doing any care and maintenance work.

6.1 Care

Use a moist cloth and clean the attachments after use.

6.2 Maintenance-free

These attachments are maintenance-free.

IF YOU ENCOUNTER ANY ADDITIONAL DIFFICULTIES NOT LISTED, VISIT OUR WEBSITE AT

WWW.SIMONIZ.CA

OR CALL CUSTOMER SERVICE FOR HELP AT

1-866-4SIMONIZ (1-866-474-6664).

8 Limited Warranty

7. LIMITED WARRANTY

Always keep your receipt as proof of purchase.

We're here to help! If you have any questions or comments, call our toll-free hotline 1-866-4SIMONIZ (1-866-474-6664). Have your serial number ready. The serial number can be found on the product.

This product has a **One (1) Year— Product Exchange Warranty only**. Please see stores for Product Exchange details.

This warranty does not cover accidental damage, unreasonable use, normal wear and tear, use of improper detergents, freezing, neglect, or non-compliance with the Operating Instructions. The warranty does not cover loss of use or other consequential damages arising from any of the above, nor does it cover repairs made or attempted by unauthorized persons.

The warranty is void if the equipment is used for commercial, rental or industrial purposes.

If you have further questions, please visit our website (www.simoniz.ca) or call 1-866-4SIMONIZ (1-866-474-6664).

Made in China

**Imported by
Trileaf Distribution Trifeuil Toronto, Canada M4S 2B8**